



# DC SOLENOIDS

## MODEL 300

Pull and push type  
Service free



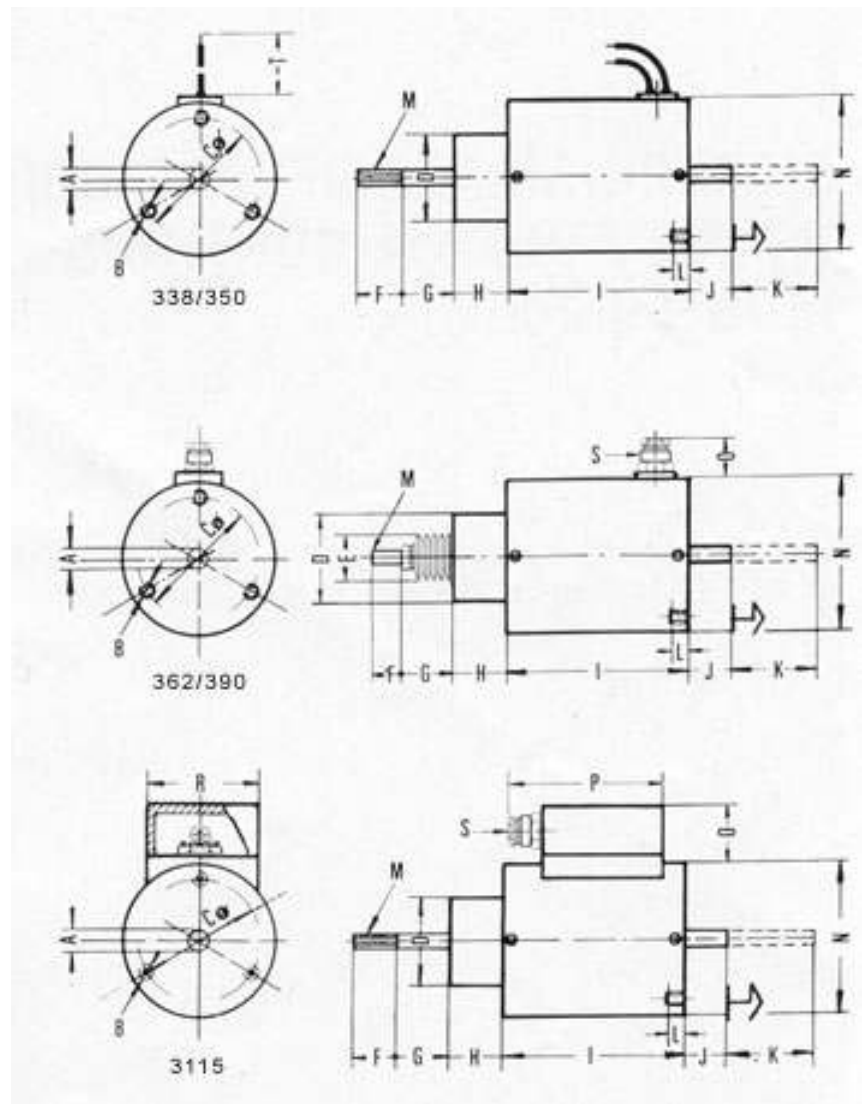
# HIGH-DUTY SINGLE ACTING SOLENOIDS

## Measurement table model 300

Electromagnets of linear activation and simple effect. The movable core slides on long-lasting self-lubricated holders not requiring maintenance.

The assembling position does not alter the good functioning of the device which can be perfectly used in horizontal position.

TYPE	338	350	362	372	390	3115
A	5	6	6	6	8	10
B	M.4	M.5	M.5	M.6	M.6	M.8
C	28	40	40	51	65	80
D	20	33	38	38	58	58
E	-	-	40	40	40	-
F	10	25	10	14	14	25
G	12	25	44	47	47	40
H	14	25	18	23	27	34
I	50	60	60	76	98	120
J	6	10	10	10	10	10
K	12	16	18	20	22	25
L	5	6	6	6	6	7
M	M.5	M.6	M.6	M.6	M.8	M.10
N	42	50	60	70	90	115
O	-	12	12	18	18	32
P	-	-	-	-	-	78
R	-	-	-	-	-	48
S	-	Pg.7	Pg.7	Pg.9	Pg.9	Pg.9
T	180	180	180	180	180	-



### MAGNETIC FORCE VALUES FOR 110, 180 AND 220 V.

The values indicated in the tables correspond to the force in Kg for every moment of its stroke. The useful power is obtained by deducting the movable core weight from the value indicated in the tables when working vertically. The weight is to be added in the case of the inverse position.

# HIGH-DUTY SINGLE ACTING SOLENOIDS

## Measurement table model 300

TYPE		338				350				362				372				390				3115			
ED %		100	40	25	15	100	40	25	15	100	40	25	15	100	40	25	15	100	40	25	15	100	40	25	15
		Kg				Kg				Kg				Kg				Kg				Kg			
Stroke in mm.	0	1.8	2.3	2.8	4.1	4.6	6	7.6	8	6.5	7.9	9.2	9.4	10	13	15	17	25	36	41	45	32	44	50	54
	2	0.8	1.2	1.6	2.8	2.4	3.5	3.7	4.5	3.4	4.6	5.6	6.5	6.5	8.8	10	12	14	18	20	31	24	28	31	38
	4	0.4	0.9	1.4	1.7	1.9	2.8	3.4	3.9	2.7	4	5	6.2	5.5	7.6	9	11	10	14	18	21	16	21	26	30
	6	0.3	0.6	1	1.5	1.6	2.6	3.3	3.7	2.4	3.8	4.8	6	5.2	7.2	8.9	10	9.6	13	17	20	15	20	24	28
	8	0.2	0.4	0.6	1	1.3	2.4	3.1	3.6	2	3.2	4.4	5.7	4.8	7	8.5	10	9.1	12	16	19	14	19	23	27
	10	0.2	0.3	0.5	0.8	1.1	2.3	3	3.4	1.7	3	4.2	5.3	3.8	6.2	8	9	8	12	15	17	14	19	23	27
	15									0.8	1.9	3.1	4.2	2.2	4.7	6	8	6.8	11	14	16	12	18	22	24
	20																	5.4	10	12	15	10	16	21	23
	25																					8	12	18	20
Potencial/Kcm		0.2	0.3	0.5	0.8	1	2.2	3	3.3	1.2	2.8	4.6	6.3	3.3	7.1	9.7	12	10.8	20	25	30	20	30	45	50
Nominal rating		12	25	35	48	16	40	74	105	20	48	80	110	38	75	110	160	52	105	160	230	80	160	240	350
Core weight Kg		0.070				0.155				0.175				0.360				1.08				1.36			
Total weight Kg		0.38				0.85				1.05				1.75				3.9				7.85			

(Measures expressed in mm)