



LAMINATED SOLENOIDS FOR AC

MODEL 100

Pull type
Service free

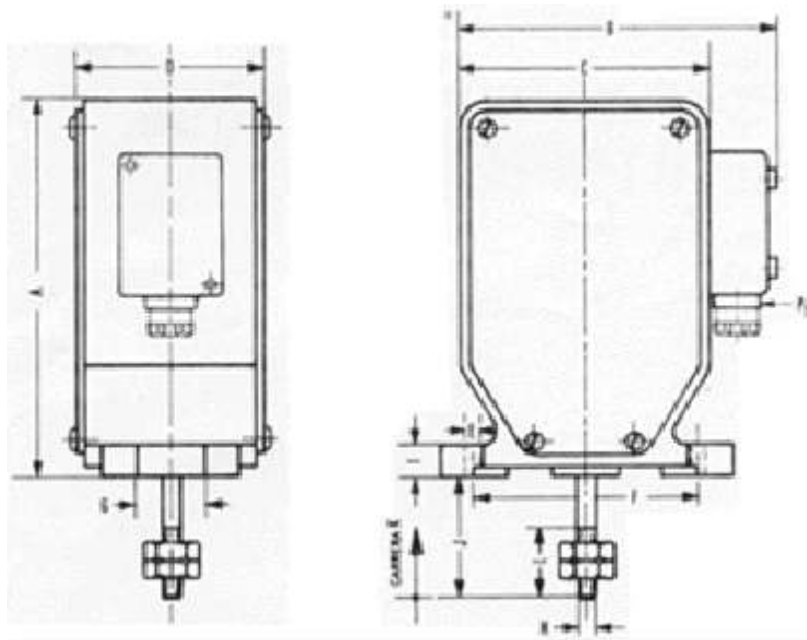
MODEL 500

Pull type
Service free



LAMINATED SOLENOIDS FOR AC

Measurement table model 100



TYPE	A	B	C	D	E	F	G	H	I	J	K	L	Pg
102	111	90	75	54	6.5	72	20	M-6	9	46	18	25	-
104	123	102	86	67	8	92	28	M-8	13	55	20	25	-
108	155	142	108	80	10	110	30	M-10	16	72	20	26	9
112	155	142	108	93	10	110	30	M-10	16	72	20	26	9

TYPE	102		104		108		112	
STROKE mm.	Kg	VA	Kg	VA	Kg	VA	Kg	VA
0	4.7	40	8.5	65	13.4	88	17.2	110
4	4	190	7.1	300	10.8	580	14,6	720
5	3.8	210	6.7	340	9.2	660	13.2	836
8	3.05	250	4.9	450	7,9	820	12.1	970
10	2.85	300	4.4	580	7.2	950	11.3	1080
12	2.55	420	4	690	5.9	1120	10.3	1320
15	2.3	650	3.7	900	5.6	1340	9.7	1630
18	2	890	2.9	1050	5.3	1520	9.2	1940
20			2.64	1220	5.1	1760	8	2130
Movable core weight	0.190		0.310		0.515		0.730	
Total weight kgs	1.060		1.620		3.010		3.720	

VALUES FOR OPERATING COIL VOLTAGE 220V

SERIAL COILS FOR 24 V AND 220 V SERVICE FREE 100 % ED

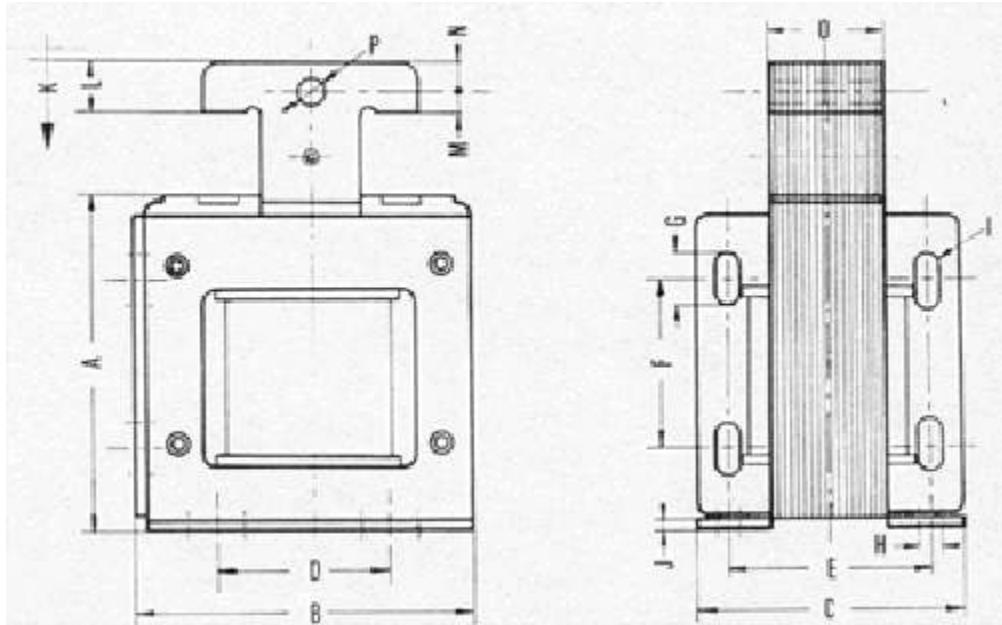
(Measures expressed in mm)

SINGLE ACTING SOLENOIDS. LAMINATED SOLENOIDS FOR A.C.

Measurement table model 500

Solenoids of linear activation and simple effect. The movable core slides on long-lasting holders so maintenance is not required.

The assembling position does not alter the perfect working of the device. It can be perfectly used horizontal position.



(Measures expressed in mm)

TYPE	A	B	C	D	E	F	G	H	I	J	K	L	M	N	O	P
500	51	48	44	27	32	-	-	5	-	1.5	20	10	5	5	10.5	5
501	51	48	51	27	40	-	-	5	-	1.5	20	10	5	5	18	5
502	60	64	48	27	36	27	10	5	5	2	20	11	5.5	5.5	17.5	5
504	60	64	58	27	45	27	10	5	5	2	20	11	5.5	5.5	27	5
508	83	79	67	42	48.5	43	14	6.2	6.2	2	20	13	6	7	26.5	6.5
512	83	79	80	42	61.5	43	14	6.2	6.2	2	20	13	6	7	40	6.5

TYPE 500/501 ASSEMBLED WITH VERTICAL HOLDER

MAGNETIC FORCE VALUES FOR 110 AND 220 V. 50 Hz.

The values indicated in the tables correspond to the force in Kg for each moment of its run.

The useful power is obtained by deducting the weight of the movable core from the value indicated in the tables in the case of vertical functioning and summing it up when working in inverse position.

(Measures expressed in mm)

SINGLE ACTING SOLENOIDS. LAMINATED SOLENOIDS FOR A.C.

Measurement table model 500

TYPE	500		501		502		504		508		512		
	Kg	VA	Kg	VA	Kg	VA	Kg	VA	Kg	VA	Kg	VA	
Stroke in mm.	0	1.6	17	3.5	22	4.7	40	8.5	65	13.4	88	17.2	110
	2	1.2	40	3.1	78	4.4	110	8	160	12	320	15	340
	4	1	72	2.8	140	4	190	7.1	300	10.8	580	14.6	720
	6	0.9	80	2.4	160	3.8	210	6.7	340	9.2	660	13.2	836
	8	0.8	98	2.2	200	3.05	250	4.9	450	7.9	820	12.1	970
	10	0.8	108	2.1	220	2.85	300	4.4	580	7.2	950	11.3	1080
	15	-	140	1.8	320	2.3	650	3.7	900	5.6	1340	9.7	1630
	20	0.4	180	1.4	420	1.8	980	2.64	1220	5.1	1760	8	2140
Core weight	0.075		0.120		0.170		0.260		0.410		0.620		
Kg													
Total weight	0.280		0.430		0.630		0.910		1.480		2.100		

(Measures expressed in mm)