



SHOTBOLT LOCKS

MODEL 850 / 832

Sliding wedge lock
Optional manual working
Duty cycle 15% ED

MODEL 830

Stroke cylindric
Optional manual working
Duty cycle 15% ED

MODEL 820

Safety bolt
DC solenoids
Service free
Without open or closed electric working

MODEL 840.40

Bistable
Safety bolt
Duty cycle 15% ED



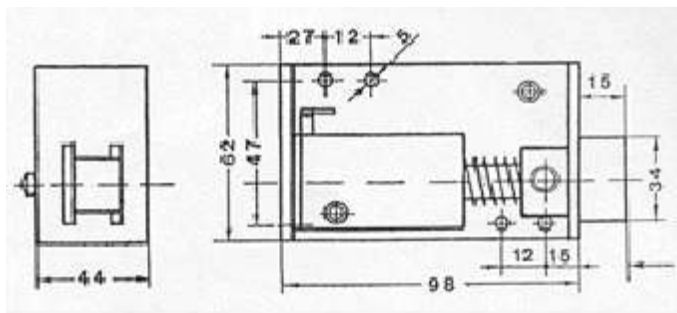
SHOTBOLT LOCKS

Measurement table model 850 / 832

Shotbolt locks
 Operating coil voltage optional
 Duty cycle 15% ED

CODE	
85000	SLIDING WEDGE BOLT
85010	MANUAL WORKING

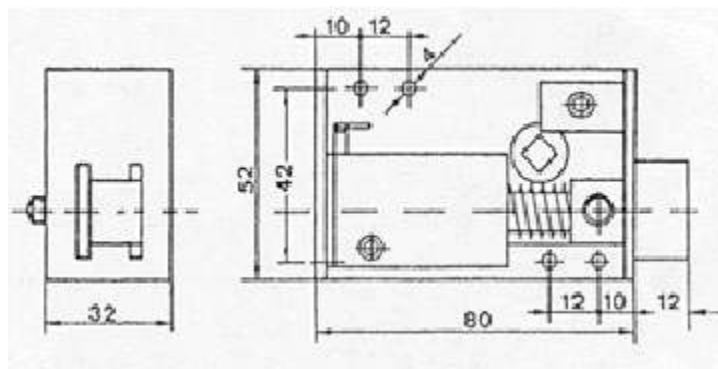
OPTIONAL	INVERSE BOLT POSITION
----------	-----------------------



Shotbolt locks
 Operating coil voltage optional
 Duty cycle 15% ED

CODE	
83200	SLIDING WEDGE BOLT
83210	MANUAL WORKING

OPTIONAL	INVERSE BOLT POSITION
----------	-----------------------



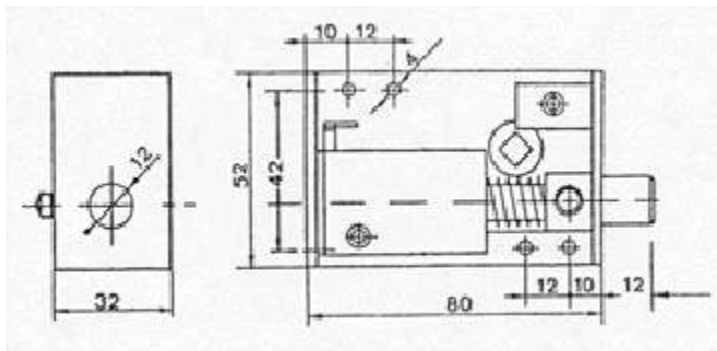
(Measures expressed in mm)

SHOTBOLT LOCKS DC

Measurement table model 830

Shotbolt locks operating coil voltage 12V or 24V DC.
Stroke cylindric.
Locking when switch off

CODE	
83000	DUTY CYCLE 15% ED.
83010	OPTIONAL MANUAL WORKING



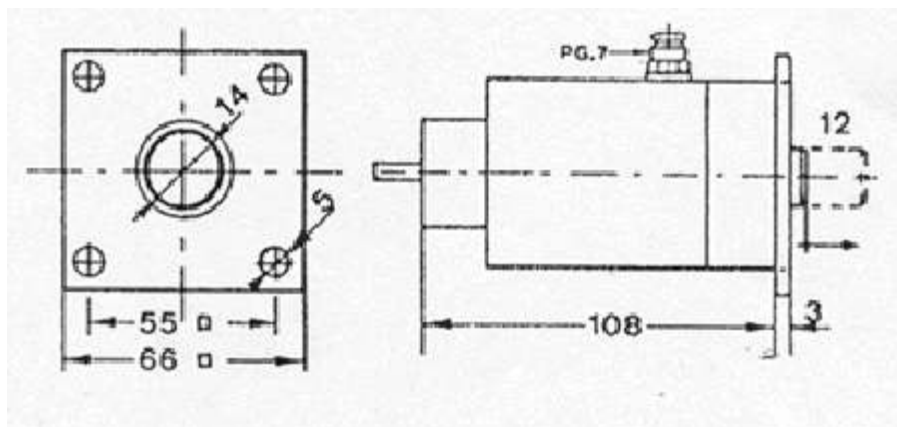
(Measures expressed in mm)

SHOTBOLT LOCKS DC

Measurement table model 820

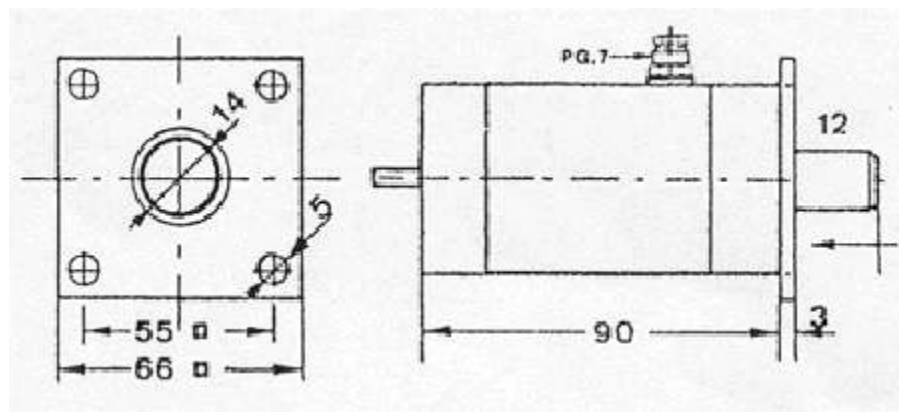
Shotbolt locks DC
 Stroke cylindric
 Operating coil voltage and duty cycle (ED) optional

CODE	SWITCH OFF
82000	OPEN
VOLTAGE AND DUTY CYCLE OPTIONAL	



Shotbolt locks DC. Stroke cylindric.
 Operating coil voltage and duty cycle (ED) optional

CODE	SWITCH OFF
82020	CLOSED
VOLTAGE AND DUTY CYCLE OPTIONAL	

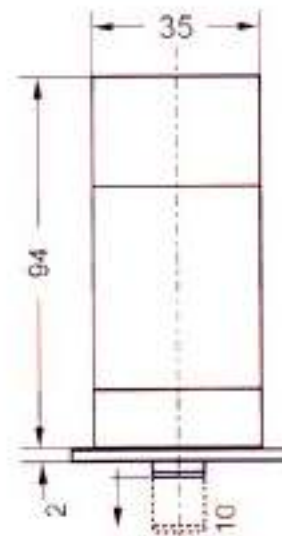
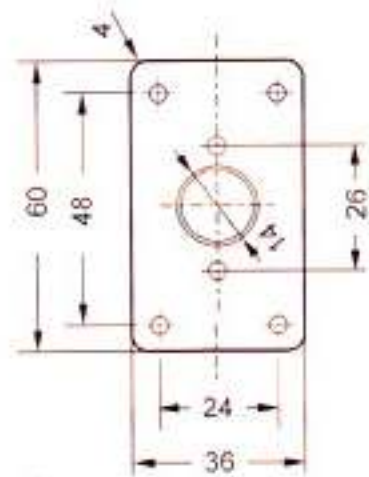


(Measures expressed in mm)

SHOTBOLT LOCKS DC

Measurement table model 840.40 (Bistable)

STROKE	10 mm
POWER	45 W
STARTING FORCE	0,350 Kg
HOLDING FORCE	1.100 Kg
DUTY CYCLE	15 % CD
SUPPLY VOLTAGE	12 o 24 V=
TOTAL WEIGHT	0,450 Kg



(Measures expressed in mm)